

# CASTILLA EcoDesign

# PANADERO

## MEASURES

DIMENSIONS H x W x D	760x592x480 mm
GROSS/NET WEIGHT	103/94 kg
FIREWOOD ENTRANCE	420x275 mm
SMOKE FLUE	Ø 120-125 mm Horizontal
OVEN H x W x D	60x567x360 mm

## CHARACTERISTICS

CAST IRON GRILL AND DOOR	
NOMINAL HEAT OUTPUT	8 KW
EFFICIENCY	77 %
CO EMISSIONS	0,10 %
HEAT RESISTANT PAINT	800°C
CERAMIC GLASS HEAT RESISTANCE	750°C

EAN 8426964187236  
REF. PANADERO 18723

## PRODUCT PLUS

### ECODESIGN



OVEN



WOOD LOGS UP TO 45 CM



HEATING VOLUME



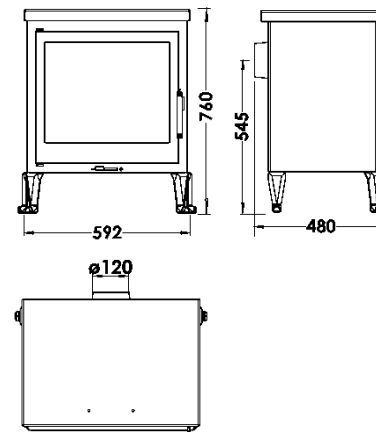
CLEAN GLASS SYSTEM



DOUBLE COMBUSTION



DOUBLE STEEL BODY  
SHEET 4 + 3 MM



**BImSchV2**

**Art. 15a B-VG**



flamme  
VERTE

Le label  
du chauffage  
au bois

7 ★



CASTILLA EN