

ONIX 3V

EcoDesign

PANADERO

MEASURES

DIMENSIONS H x W x D	810x563x430 mm
GROSS/NET WEIGHT	103/95 kg
FIREWOOD ENTRANCE	485x361 mm
SMOKE FLUE	Ø 150-153mm Top
DIAGONAL GLASS LENGTH	600 mm

CHARACTERISTICS

CAST IRON GRILL AND DOOR	
THREE-SIDED VISION	
NOMINAL HEAT OUTPUT	7,1 KW
EFFICIENCY	80 %
CO EMISSIONS	0,10 %
HEAT RESISTANT PAINT	800°C
CERAMIC GLASS HEAT RESISTANCE	750°C

EAN 8426964186956
REF. PANADERO 18695

PRODUCT PLUS

ECODESIGN



VERMICULITE LINING



WOOD LOGS 50 CM



220 m³ HEATING VOLUME



CLEAN GLASS SYSTEM



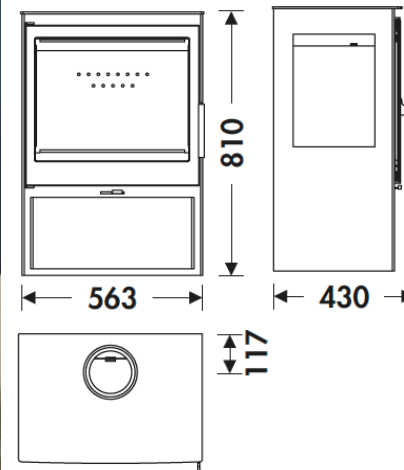
TRIPLE COMBUSTION



DOUBLE STEEL BODY SHEET 4 + 3 MM



WOOD LOG STORAGE



A



TÜVRheinland®
CERT
ISO 9001

Art. 15a B-VG

BImSchV2



ONIX 3V EN