

# SUERTE 10 EcoDesign

# PANADERO

## MEASURES

DIMENSIONS H x W x D	990x500x445 mm
GROSS/NET WEIGHT	122/113 kg
FIREWOOD ENTRANCE	432x337 mm
SMOKE FLUE	Ø 150-153 mm Top

## CHARACTERISTICS

CAST IRON GRILL	
THREE-SIDED VISION	
STEEL BODY SHEET	5 mm
NOMINAL HEAT OUTPUT	8 KW
EFFICIENCY	78,5 %
CO EMISSIONS	0,10 %
HEAT RESISTANT PAINT	800°C
CERAMIC GLASS HEAT RESISTANCE	750°C

EAN 8426964181494  
REF. PANADERO 18149

## PRODUCT PLUS

### ECODESIGN



EXTERNAL AIR INTAKE



VERMICULITE LINING



WOOD LOG STORAGE



WOOD LOGS 50 CM



240 m<sup>3</sup> HEATING VOLUME



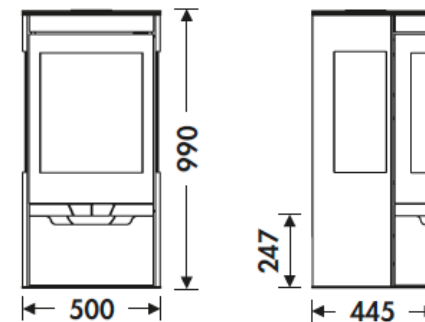
CLEAN GLASS SYSTEM



TRIPLE COMBUSTION



DOUBLE LOCK



flamme  
VERTE

Le label  
du chauffage  
au bois

7 ★