

PROVENCE EcoDesign

PANADERO

MEASURES

DIMENSIONS H x W x D	760x730x512 mm
GROSS/NET WEIGHT	119/107 kg
FIREWOOD ENTRANCE	600x370 mm
SMOKE FLUE	Ø 150-153 mm
OVEN	Horizontal 690x400x60 mm

CHARACTERISTICS

CAST IRON GRILL AND DOOR	
NOMINAL HEAT OUTPUT	9,8 kW
EFFICIENCY	80,7 %
CO EMISSIONS	0,10 %
HEAT RESISTANT PAINT	800°C
CERAMIC GLASS HEAT RESISTANCE	750°C

EAN 8426964186505
REF. PROVEEDOR 18650

PRODUCT PLUS

ECODESIGN



OVEN



WOOD LOGS 60 CM



290 m³ HEATING VOLUME



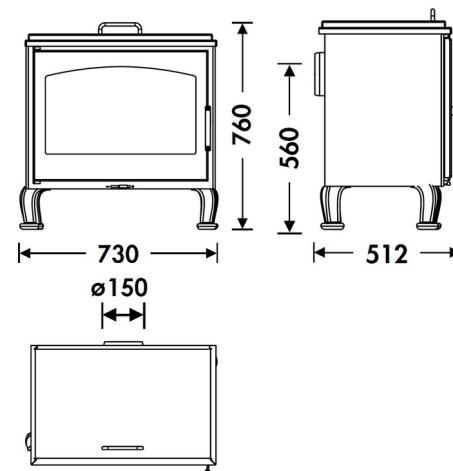
CLEAN GLASS SYSTEM



TRIPLE COMBUSTION



DOUBLE STEEL BODY SHEET 5 + 3 MM



A+



TÜVRheinland®
CERT
ISO 9001



PROVENCE EN