

OVEN EcoDesign

PANADERO



MEASURES

DIMENSIONS H x W x D	1050x562x403 mm
GROSS/NET WEIGHT	145/135 kg
FIREWOOD ENTRANCE	485x250 mm
SMOKE FLUE	Ø 150-153 mm Top
OVEN H x W x D	235x540x353

CHARACTERISTICS

CAST IRON GRILL	
NOMINAL HEAT OUTPUT	7,1 KW
EFFICIENCY	80,7 %
CO EMISSIONS	0,10 %
HEAT RESISTANT PAINT	800°C
CERAMIC GLASS HEAT RESISTANCE	750°C

EAN 8426964110210
REF. PANADERO 11021

PRODUCT PLUS

**ECODESIG
N**



WOOD LOGS UP TO 50 CM



HEATING VOLUME



CLEAN GLASS SYSTEM



TRIPLE COMBUSTION



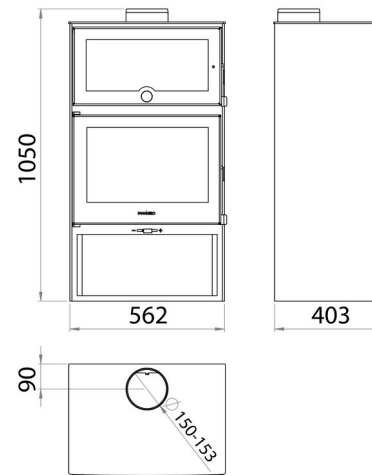
DOUBLE STEEL BODY SHEET 4 + 3 MM



WOOD LOG STORAGE



OVEN



OVEN EN

