

# F-820-S

## EcoDesign

# PANADERO



### MEASURES

|                      |                  |
|----------------------|------------------|
| DIMENSIONS H x W x D | 625x770x485 mm   |
| GROSS/NET WEIGHT     | 96/86 kg         |
| FIREWOOD ENTRANCE    | 600x300 mm       |
| SMOKE FLUE           | Ø 150-153 mm Top |

### CHARACTERISTICS

|                               |       |
|-------------------------------|-------|
| CAST IRON GRILL               |       |
| PANORAMIC VISION              |       |
| NOMINAL HEAT OUTPUT           | 7 KW  |
| EFFICIENCY                    | 81 %  |
| CO EMISSIONS                  | 0,10% |
| HEAT RESISTANT PAINT          | 800°C |
| CERAMIC GLASS HEAT RESISTANCE | 750°C |

EAN 8426964190809  
REF. PANADERO 19080

### PRODUCT PLUS

#### ECODESIGN



EXTERNAL AIR INTAKE



VERMICULITE LINING



PRINTED GLASS



WOOD LOGS 60 CM



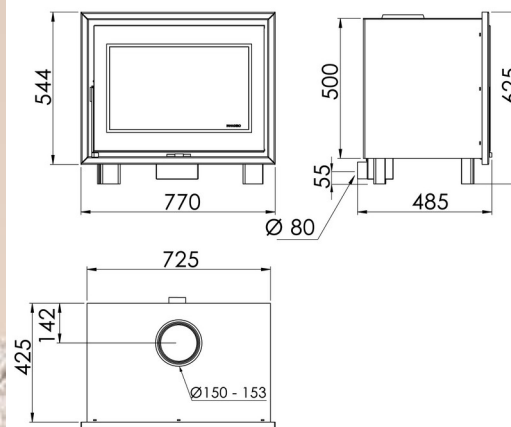
HEATING VOLUME



CLEAN GLASS SYSTEM



TRIPLE COMBUSTION



A+



TÜVRheinland®  
**CERT**  
ISO 9001



F-820-S EN